

estol[®]

Lichtobjekte estol GmbH

LED Track Light
VARIO Polar P40
CASAMBI

Track Light TW - RGB CASAMBI

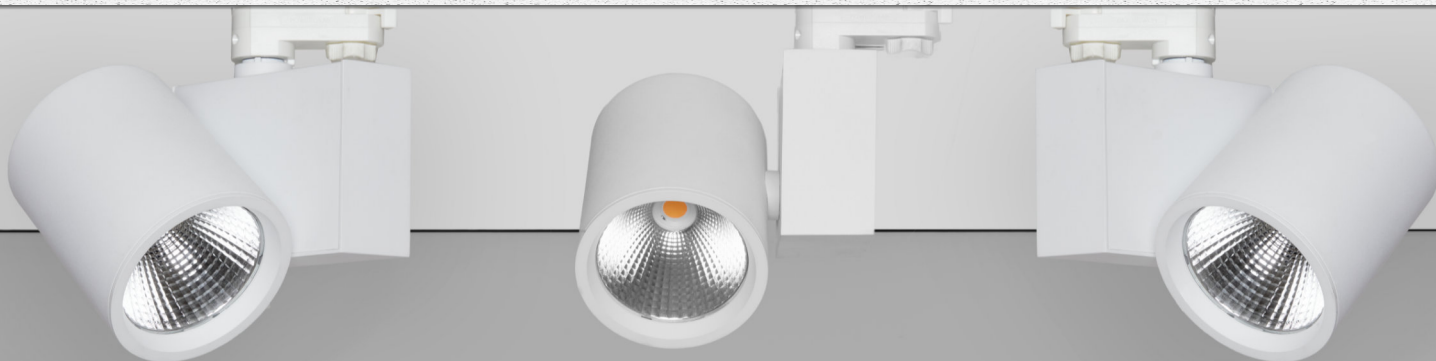
TUNABLE WHITE 1800- 10000 K



SELV



estol[®] LED Vario Polar P40

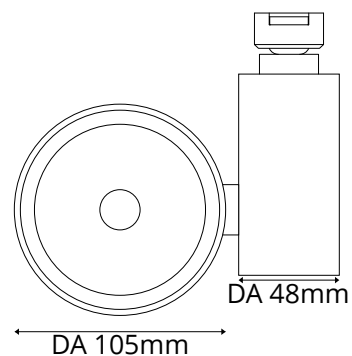
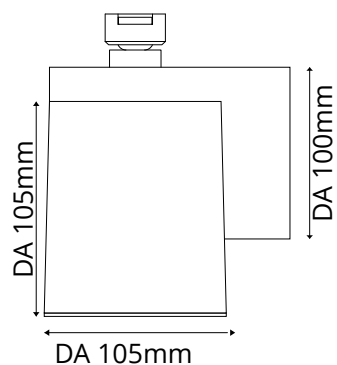


LED Vario Polar P40

The further development of the light output from 3000 lm to 4000lm could be carried out without design changes and without active cooling . Small in dimension - big in power and performance.

LED Vario Polar P40 is a true multi -talent and just as unique . The track spotlight equipped with CASAMBI for all tracks available on the market offers TUNABLE WHITE with colour temperatures from 1800- 10000 Kelvin. Thanks to continuous research and development , the latest generation of LED technology now achieves a colour rendering of CRI/Ra > 94-96. In addition to the wide-range TUNABLE WHITE , it also provides amazingly intense colour spaces as a colour spotlight with RGB.

Thanks to the latest control technologies , it can be controlled via CASAMBI or DALI dt8 BUS . The ultra -pure aluminium specular reflectors with SPOT , MEDIUM FLOOD and WIDE FLOOD beam angles can be easily replaced as required.



Technische Daten:

LED-Bestückung: TUNABLE WHITE COB
ca. 1800 - 10000 Kelvin
RGB FULL COLOUR

Steuerprotokoll: CASAMBI
Dimmbereich: 1 -100 %
Ansteuerung: Dali dt 8 auch
für BUS . z.B
EUTRAC
verfügbar

Leuchtenlichtstrom: 4000Lumen
Leuchteneffizienz: 100 lm/W
Lebensdauer: 50000h, bei 70% Lichtstrom

Farbwiedergabe: CRI/Ra > 94-96
Material: Aluminium-Druckguss
Pulverbeschichtet
Farbe: RAL9016 weiß Feinstruktur
RAL 9005 schwarz

Netzspannung: 230V / 50/60 Hz

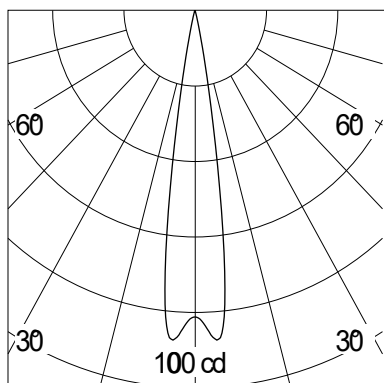
Betriebsspannung: 48 V/DC selv

Schutzklasse: IP20

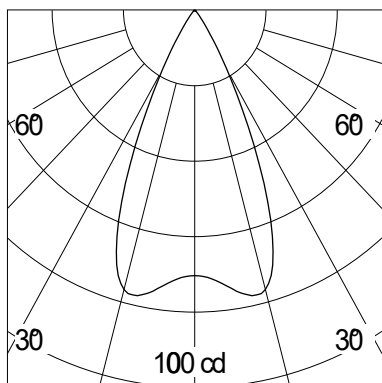
Reflektor: Individuell austauschbar **Abstrahlwinkel:**

Kompatibel: EUTRAC, GLOBAL, STUTCHI

SPOT 15°



MEDIUM FLOOD 30°



WIDE FLOOD 45° +60°

